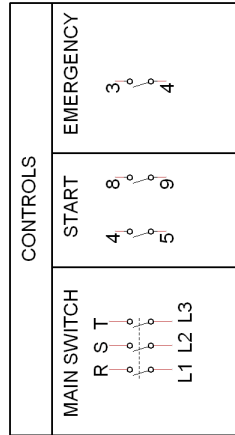
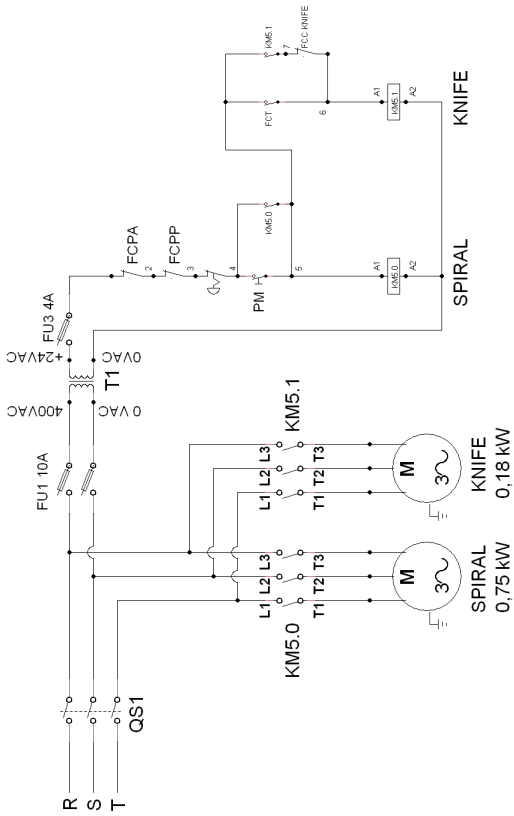


WIRING DIAGRAM SA300



Title: SA300 - MOTORE SPIRALE e COLTELO 400V/3Ph.
 Author: [Blank]
 File: MOTORE SPIRALE e COLTELO 400V/3Ph.dwg
 Path: [Blank]
 Program: AutoCAD LT 2004
 Date: 18/05/2017
 Document: [Blank]
 Sheets: [Blank]